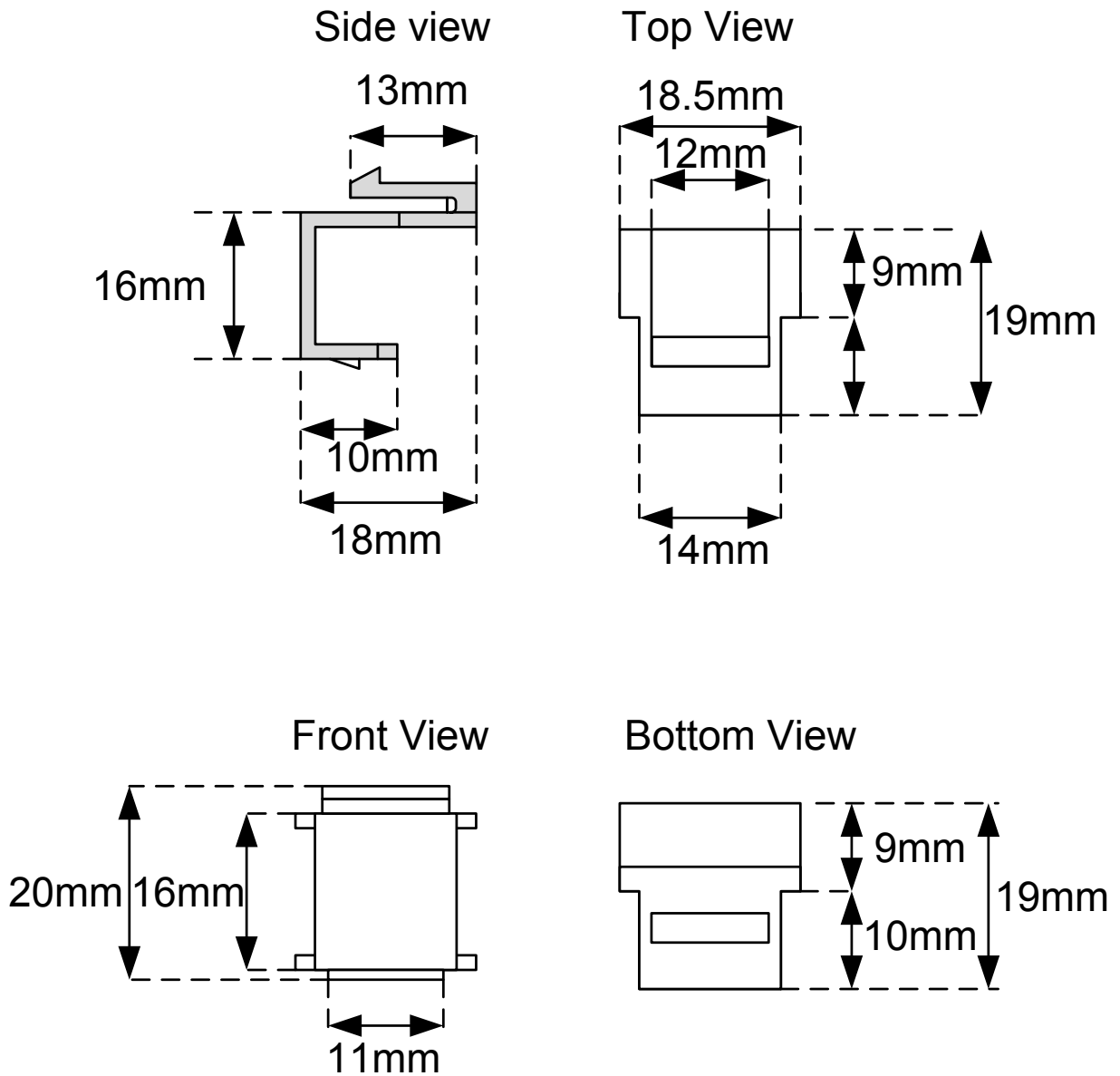


Copper Network System Product

Keystone Blank Insert

Product Code: CNSPKSB



The keystone blank inserts are used to fill the unused keystone ports in faceplates, surface mount boxes or enclosures and blank patch panels, allowing for easy future upgrades.

Available in lots of 25, 50 and 100