



KH-MAX Category 6 Modular Jack

The KH-MAX is a universal 8 Pin Keystone Jack Module designed for terminating four pair unshielded Twisted Pair cable from 22 AWG through to 26 AWG in high humidity environments.

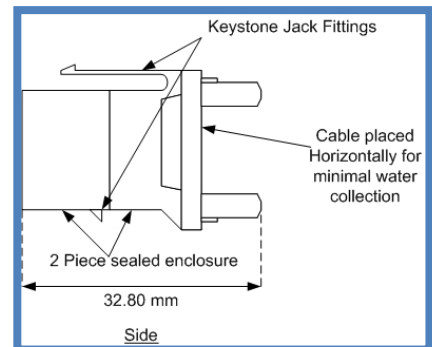


Characteristics

- Low Profile, with less than 36mm of Depth (including Bend Radius of cable)
- Snaps in and out of all Keystone faceplates, Patch Panels and Accessories
- Universal Label is colour coded for T568A and T568B Wiring Schemes
- Jack module allows minimal moisture entry in High humidity environments
- Gold-plated contacting area and tin-plating in insulation displacement area
- The contacts are made of one-piece (no internal transfer points)
- Capacitive and inductive compensation
- Compatible with Category 6 standard RJ45 plugs
- Fully mechanically and electrically backwards compatible with Cat. 5e
- 360° Jacket coverage leading to a completely shielded module.
- Body made of PVC, (materials selected have low level of Halogens)
- Fully integrated spring Shutter

Mechanical Characteristics

Contact Base material:	CuSn (Copper Tin Alloy)
Contact surface:	>0.50 μ m gold
Jack insulation material:	Polyvinyl Chloride (PVC)
IDC connections:	8 per jack
IDC contact material:	CuSn, tin-plated



Description	Standard value	Relevant standard	Typical (20°C)
Mating cycles min.	>750	ISO/IEC 11801	>175,000
Insertion cycles	>20	ISO/IEC 11801	>20



Regulatory Compliance / testing

- Meets All Category 6 requirements of ;

ISO/IEC 11801(2nd Edition)

EN 50173

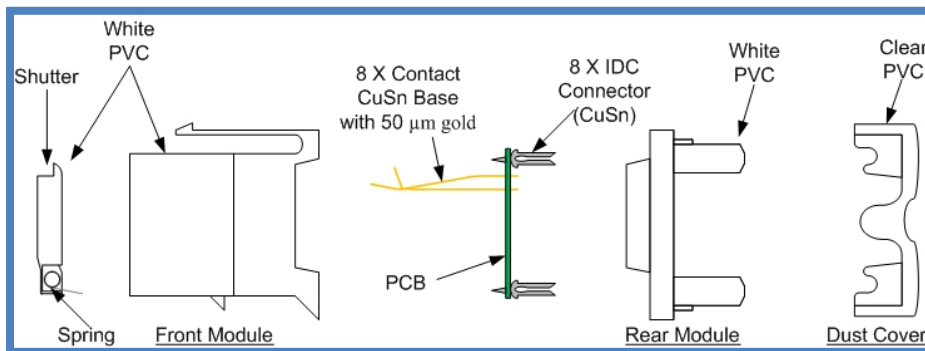
TIA/EIA 568B

ANSI/TIA 968 A

IEC 60603-7

prEN 50173-1 (2nd Edition)

- Meets All the Category 6 values in the component standard IEC 60603–7
- Meets Class E Channel Requirements at Swept Frequencies up to 250MHz
- Meets requirements of IEEE 802.3af and IEEE 802.3at for PoE applications
- UL 1863 approved
- RoHS compliant



Electrical Characteristics

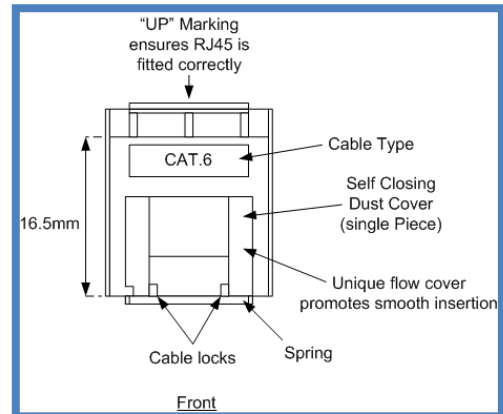
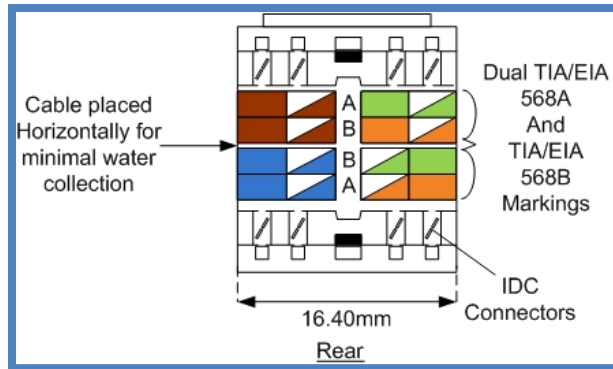
	100 MHz	200 MHz	250 MHz
Frequency:	100 MHz	200 MHz	250 MHz
Attenuation:	< 0.2 dB	< 0.2 dB	< 0.3 dB
Return Loss:	24 dB	18.5 dB	16 dB
NEXT Pair to Pair:	58 dB	50 dB	47.5 dB

Description	Standard value	Relevant standard	Typical (20°C)
-------------	----------------	-------------------	----------------

Electric strength:	1000V DC or AC	IEC 60603-7	> 1000V eff
Insulation resistance:	> 500 M Ω (500VDC)	IEC 60603-7	> 500 M Ω
Contact resistance:	<200m Ω	IEC 60603-7	< 50m Ω
Current Carrying:	> 1A		

Transfer impedance

1 MHz	<100m Ω	prEN 50173	< 20m Ω
10MHz	< 200m Ω	prEN 50173	< 50m Ω
30MHz	< 620m Ω	prEN 50173	< 200m Ω



Environmental Characteristics

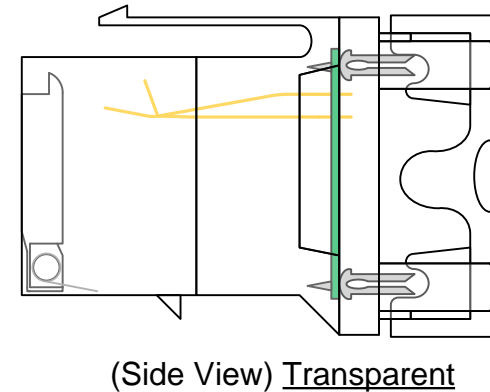
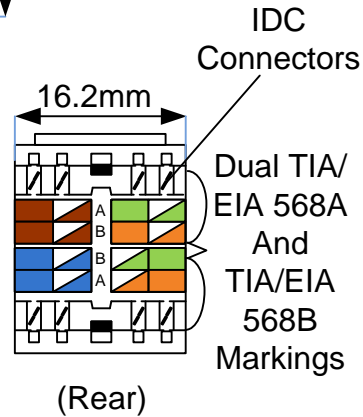
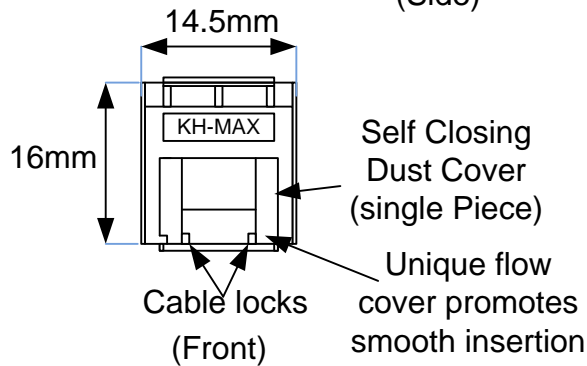
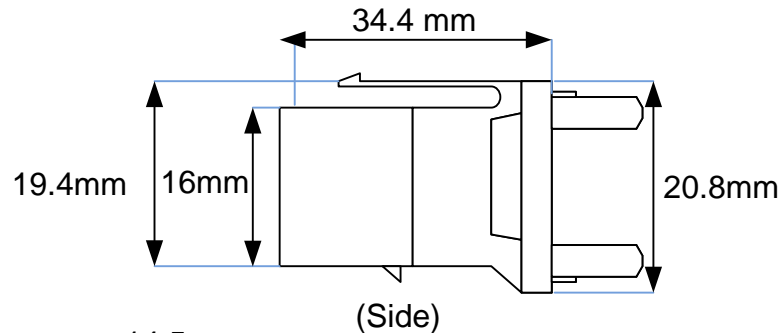
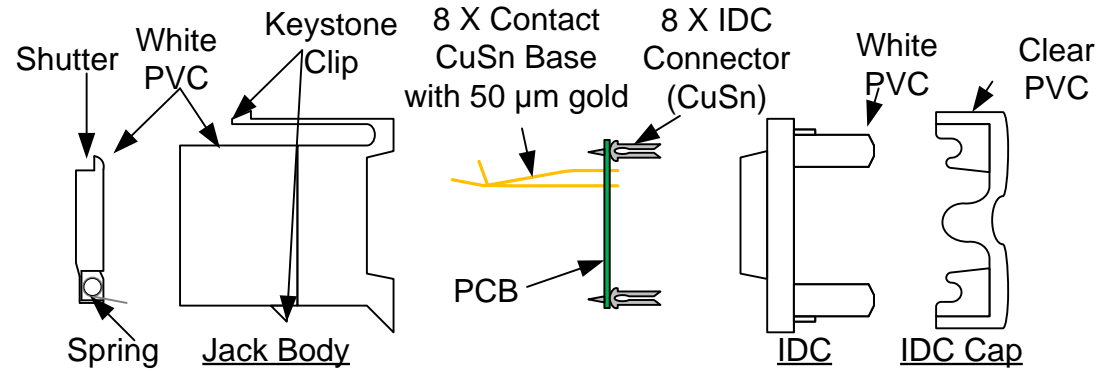
Operating temperature range: -10° to +60°C
Operating humidity range: >97% Relative Humidity

Warranty

10 Year Warranty.

Material:

1. RJ45 Jack:
 - 1-1. Housing : ABS+PC, UL 94V-0, with optional colour.
 - 1-2. RJ45 Bracket Set : PBT + Glass Fibre UL 94V-0.
2. RJ45 Jack Contact
 - 2-1. Material: Phosphor Bronze with Nickel Plating.
 - 2-2. Finish 3 micro-inch Gold plating on plug contact area.
3. IDC:
 - 3-1. Housing: PC + Glass Fibre, UL 94V-2.
 - 3-2. Terminal: Phosphor Bronze with min. 50 micro-inch Tin Plating
4. IDC CAP: ABS, UL 94-HB
5. PCB: FR4, UL 94V-0



Performance:

- a. T568A & T568B wiring sticker
- b. Insertion force: 20N max. (IEC 60603-7-4).
- c. Retention strength: 7.7kg between jack and plug.
- d. Operating temperature: -10°C to 60°C (ISO/IEC 11801, ANSI/TIA/EIA 568 B.2)
- e. Life(mating cycles): 175,000.
 - *jack: cycles min.(ISO.IEC 11801, IEC 60603-7-4).
 - *IDC: Suitable for 22-26 AWG stranded and solid wire, compatible with both 110 & krone punch down tools.
- f. The CAT.6 Transmission performance is in compliance with the ANAI/TIA/EIA 568 B.2 standard.

P/N		Description		Package
KH-MAXC6		UTP Cat.6 Keystone Jack with dust cover, 180 degree		100 PCS/CTN
DRAWN BY	NB	P/N: KHMAXC6		
CHECK BY	MD	Unit	mm	REV
APPD BY	MD	Sheet	1/1	DWG NO:
		Date	21/10/2013	