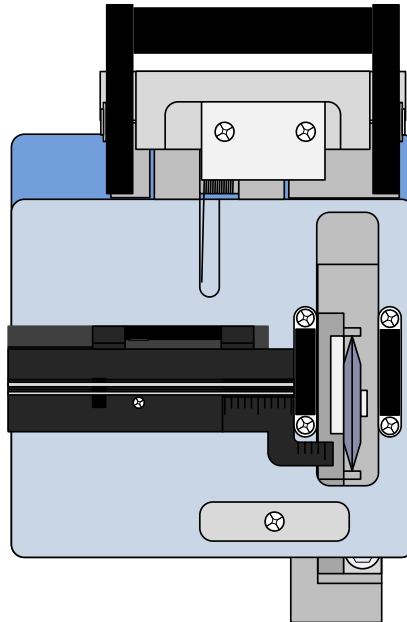


Optistar Fibre Cleaver



Low Cost reliable cleaver

Replaceable blades, with 12 positions

Compact and light weight

Able to provide 36,000 - 46,000 cleaves per blade

Singlemode or Multimode Fibre able to be cut

Typical Cleave angle of 0.5 degrees

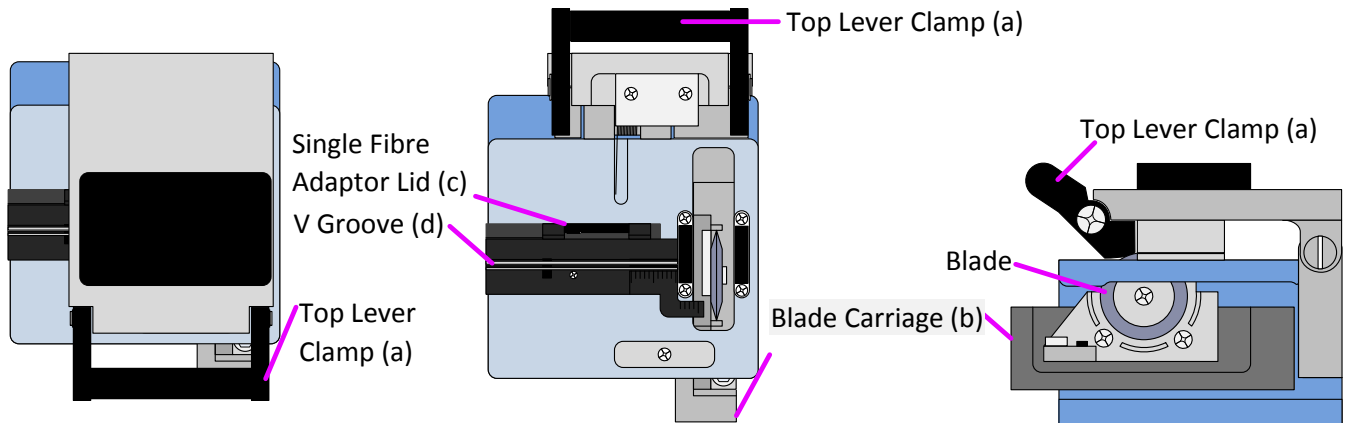
Able to cut through coating diameter of 250µm - 900µm

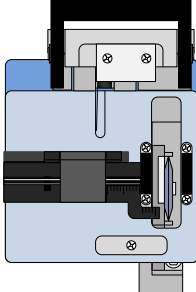
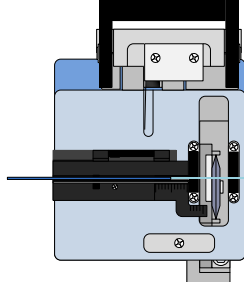
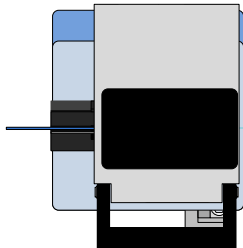
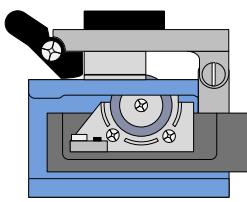
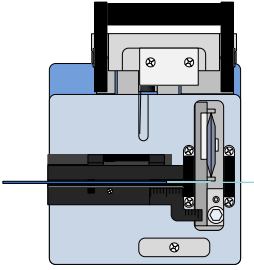

Replaceable Parts

Part Number	Description
optclvbl	Cutting Blade
optclvtlc	Top Lever Clamp
optclvbb	Transport bag for Cleaver
optclvak	Allen Keys for Cleaver



Fibre Cleaver Operating Instructions



 <p>(1.) Open (by pulling upwards) Top lever clamp (a) opening the lid. Slide blade carriage (b) forward.</p>	 <p>(2.) Open lid of single fibre adaptor (c), Place fibre into correct V groove (d), with end of fibre coating at desired cleave length.</p>
 <p>(3.) Close single fibre adaptor (c) lower top lever clamp lever (a) and till it clicks shut.</p>	 <p>(4.) Slide blade carriage (b) backwards in a single smooth backwards movement.</p>
 <p>(5.) Open top lever lamp (a) and then single fibre adaptor (c) remove cleaved fibre.</p>	 <p>Caution is required in picking up the off-cut. Please place this in a secure off-cut container.</p>

For support or further information email support@optistar.co.nz