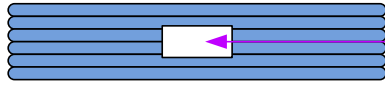


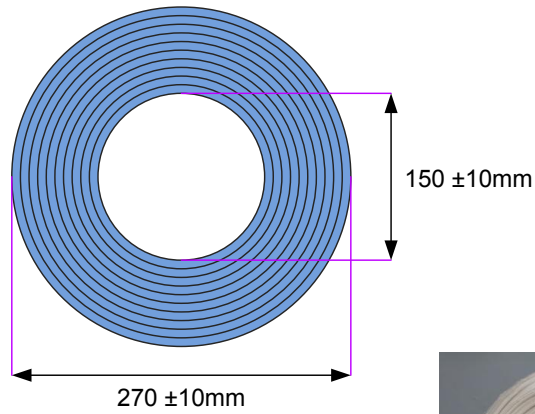
Copper Network System Product

KH-MAX Category 6 Cable 100m Coils

Product Code: CNSPKHMC6100



Stickers



1. Coil dimensions: Out diameter: 270mm, Inner diameter: 150mm, Height: 100mm

2. Protection of the coils

- Each Coils is bound first by a nylon bond over the complete coil. (2point)
- Then each {coil + nylon bond} is protected by one layer of thermo plastic transparent film
- Transparent plastic film wraps the coil and nylon bond
(Once wrapped, our machine bore a hole to pass through the central hole)



Material & Construction

Item	Description		
Conductor	Materials	Soft & annealed copper	
	Size	24AWG	
Insulation	Materials	HDPE	
	Colour	#1 Pair	Blue/White (Blue stripe-2line)
		#2 Pair	Orange/White (Orange Stripe-2line)
		#3 Pair	Green/White (Green stripe-2line)
		#4 Pair	Brown/White (Brown stripe-2line)
Filler	Cross web filler		
Rip cord	None		
Jacket	Materials	Falme retardant PVC	
	Diameter	Nominal 6.0 φ mm	
	Colour	Colour RAL code Blue RAL 5005	

Physical Characteristics

Item	Unit	Characteristics	Remark
Jacket (Unaged)			
Tensile Strength	MPa	Min. 13.8	
Elongation	%	Min. 100	
Jacket (aged)			
Tensile Strength	%	Min. 85 of unaged	100±2°C/240h
Elongation	%	Min. 50 of unaged	
Flame Test			
Cm Type	-	Pass	UL 1685 (without smoke measurements)

Transmission Characteristics

Frequency	Propagation Delay	Velocity of Propagation	Propagation Delay Skew
MHz	ns/100m (Max.)	%(Min.)	dB/100m(Max.)
1	570	58.5	45
10	545	61.1	45
100	538	62.0	45
250	536	62.1	45
Equation	$534+36/(f)^{1/2}$	-	-
Remark			

Electrical Characteristics

-	Item	Unit	Characteristics	Remark
Electrical Characteristics	Conductor Resistance(DC) at 20°C	Ω/100m	Max. 9.38	
	Resistance unbalance(DC) at 20°C	%	Max. 5	
	Mutual capacitance at 1KHz	nF/100m	Max. 5.6	Ref. Value
	Capacitance unbalance at 1KHz	nF/100m	Max. 330	Pair to ground
	Dielectric strength at 2 sec. DC	kV	2.5	