

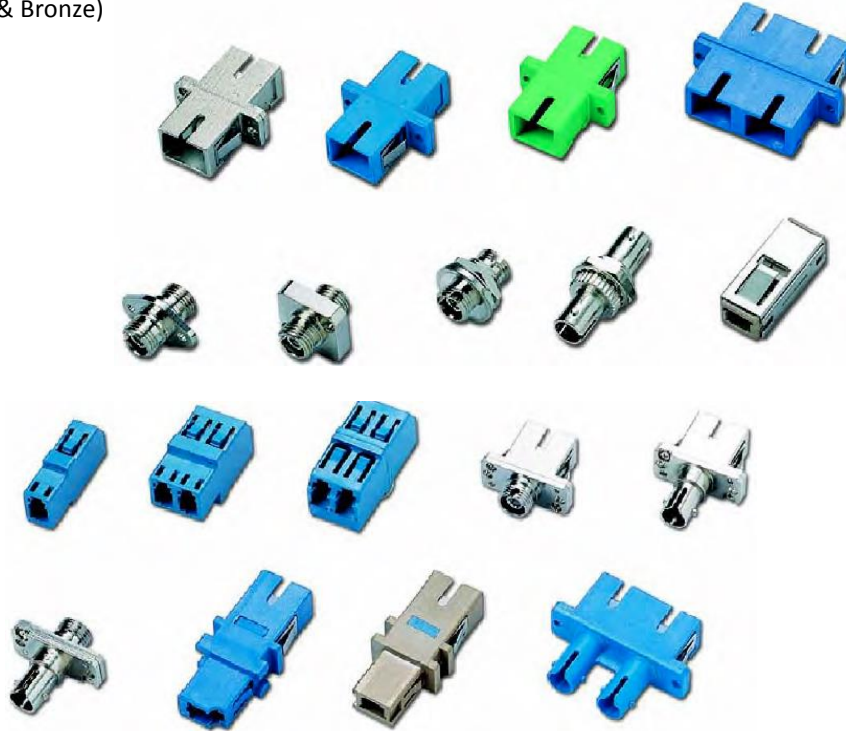
Fibre Optic Patch Leads

Fibre optic adapters

Product Code: FOPLIJ

Feature

- Comply with: JIS, IEC, Bellcore
- Precision sleeve(Zirconia & Bronze)
- Various type available
- Integrated body structure



Specifications

Characteristics	Values
Structure	Satisfied Telcordia GR-326-CORE
Insertion Loss	≤ 0.2dB (against master connector)
Mating durability	≤ 0.2dB (500 times)
Operating temperature stability	≤ 0.3dB (-40°C ~ +85°C)

Ordering Information

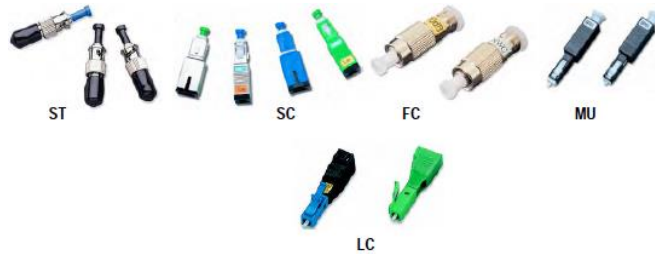
OFC - - - - X

Mating Connector		Sleeve	Color	X Slot width
S1: SC Simplex SV: SC Duplex vertical SH: SC Duplex horizontal S4: SC quadplex FR: FC Simplex round FQ: FC Simplex square FF: FC Simplex flange ST: ST Simplex	L1: LC Simplex L2: LC Duplex horizontal M1: MU Simplex M2: MU Duplex horizontal MR: MT-RJ SS: SC to ST FS: FC to SC	Z: Zirconia B: Bronze	B: Blue G: Green O: Option	N: 2.15mm – 2.20mm R: 2.03 – 2.08mm *Only FC Type
Minimum order quantity: 4 pieces (of any one type)				

Fibre Optic Patch Leads

Plug in attenuators

Product Code: FOPLILA



Feature

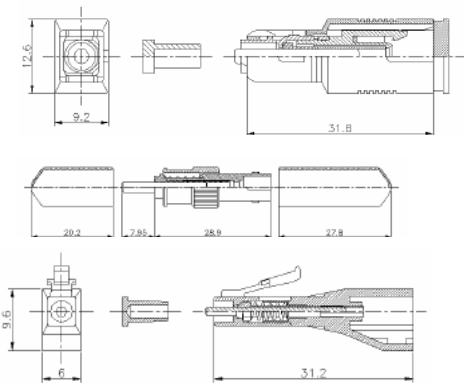
- Optimized ion doped fibre technology
- Various fixed attenuation available
- Superior durability
- Low polarization dependence
- Superior spectral flatness and very low ripples
- Withstands high optical power up to 1W
- Telecordia std(GR-910-CORE) conformed

Application

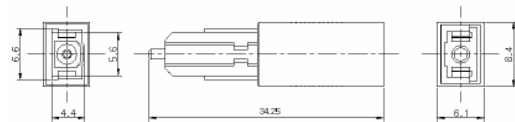
- Telecommunication Network
- CATV Network
- Data communication
- Instrumentation
- Local Area Network

Specifications

Characteristics		Single mode (9/125 μm)	Multimode (GI 50/125 μm , 62.5/125 μm)
Attenuation Value		0dB to 20 dB(1dB step), 25 dB, 30dB	0dB to 25dB(1dB step)
Operating wavelength		1260nm – 1620nm	850nm or 1300nm, 1310nm
Return Loss	SPC	$\geq 40\text{dB}$	-
	UPC	$\geq 55\text{dB}$	
	APC	$\geq 65\text{dB}$	
Attenuation Tolerance	1dB – 10dB	$\pm 0.5\text{dB}$	$\pm 0.5\text{dB}$
	10dB – 15dB	$\pm 1.0\text{dB}$	
	16dB – 30dB	$\pm 2.0\text{dB}$	
Maximum Power Capability		1W	
Operating Temperature		$-40^{\circ}\text{C} \sim +75^{\circ}\text{C}$	



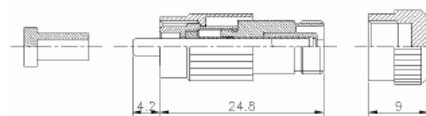
SC Type



MU Type

ST Type

LC Type



FC Type

Ordering Information

OFATP - [] - [] - [] - [] - []

Fibre Type	Type	Connection End Shape	Attenuation Value	Wavelength	Sleeve
SM: 9/125	SCD*	SP: SPC	01: 1dB	85: 850 nm	C: Ceramic B: Bronze
MM: 50/125	SCP*	UP: UPC	02: 2dB	30: 1300nm	
HMM : 62.5/125	FC	AP: APC	13: 1310nm	
	ST		20: 20dB	15: 1550nm	
	LC		25: 25dB	35: 1310nm & 1550nm	
	MU		30: 30dB		

Minimum order quantity: 5 pieces (of any one type)

*SCD: Dicasting Housing

*SCP: Plastic Housing

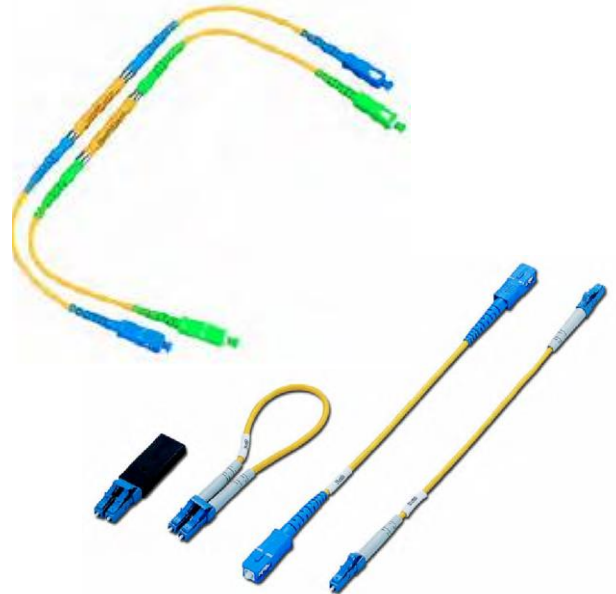
Fibre Optic Patch Leads

In line attenuators

Product Code: FOPLINA

Feature

- Optimized ion doped fibre technology
- Various fixed attenuation available
- Superior durability
- Low polarizing dependence
- Superior spectral flatness and very low ripples
- Withstands high optical power up to 1W
- Telecordia std(GR-910-CORE) conformed



Specifications

Characteristics	Single mode (9/125 μm)	Multimode (GI 50/125 μm , 62.5/125 μm)
Attenuation Value	0dB to 20 dB(1dB step), 25 dB, 30dB	0dB to 25dB(1dB step)
Operating wavelength	1260nm – 1620nm	850nm or 1300nm, 1310nm
Return Loss	SPC	-
	UPC	
	APC	
Attenuation Tolerance	$\pm 0.5\text{dB}$	$\pm 0.5\text{dB}$
Maximum Power Capability	1W	
Operating Temperature	$-40^{\circ}\text{C} \sim +75^{\circ}\text{C}$	

Ordering Information

OFATP - - - - -

Fibre Type	Type	Connection End Shape	Total Length	Attenuation Value	Wavelength
SM: 9/125	SC	SP: SPC	05: 0.5m	01: 1dB	85: 850 nm
MM: 50/125	FC	UP: UPC	10 : 1m	02: 2dB	30: 1300nm
HMM : 62.5/125	ST	AP: APC	13: 1310nm
	LC		50: 5m	20: 20dB	15: 1550nm
	MU		25: 25dB	35: 1310nm & 1550nm
			100: 10m	30: 30dB	
Minimum Order Quantity: 2 Pieces(of any one type)					