

Communication Solutions

For getting connected



an *Aliaxis* company

RX PLASTICS LTD
PO Box 360 Ashburton
Phone +64 3 307 9081
Email sales@rxplastics.co.nz
www.rxplastics.co.nz



RX PLASTICS

Communication Solutions



Whether you are ducting fibre, connecting ducts or looking for solutions, RX Plastics has the solution for you, with manufacturing facilities New Zealand wide and selections of strong supporting brands RX Plastics can assist whatever your requirements.

We've got what you need

RX Plastics has a wide range of products to support your distribution.

Polyethylene Ducting

RX polyethylene ducting 20mm through to 450mm. Whatever your requirements, RX has it.



PVC-u Culvert

RX has culverts from 110mm - 500mm - 3, 5 & 6 metre lengths.



FITTINGS

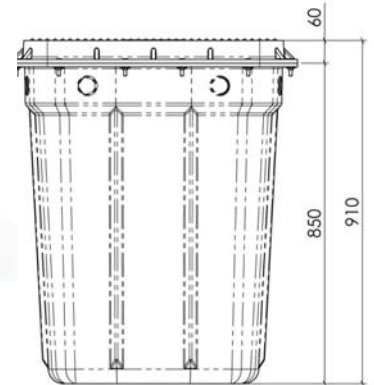
RX supplies a range of fittings suitable for Electrical and Telecommunication applications



Why RX Plastics?

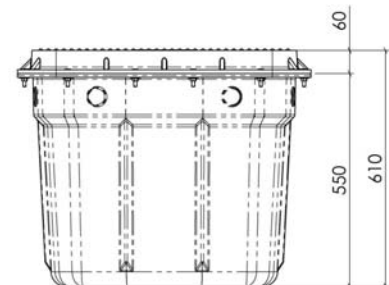
RX Plastics has over many years consolidated all of the components for you to have a successful installation of communication systems, particularly in rural greenfields sites. Key to this process is our class B access chamber enabling you to store connections, fosc and have direct access to the heart of your fibre network. We recognise that in network systems having clean, dry conditions is paramount to the longevity of that network asset. RX Plastics has taken this ideal and has, from the ground up manufactured in New Zealand a pit that is a sealed system, incorporating the pipe line through to the fittings and the pit that is sealed both in the lid and the body of the pit. RX Plastics has also developed fittings to enable connection of the communication system into the pit and between ducts.

Class B Access Chambers - 900mm & 600mm



CBA900

- Suits 900mm excavation depth
- 10mm wall thickness



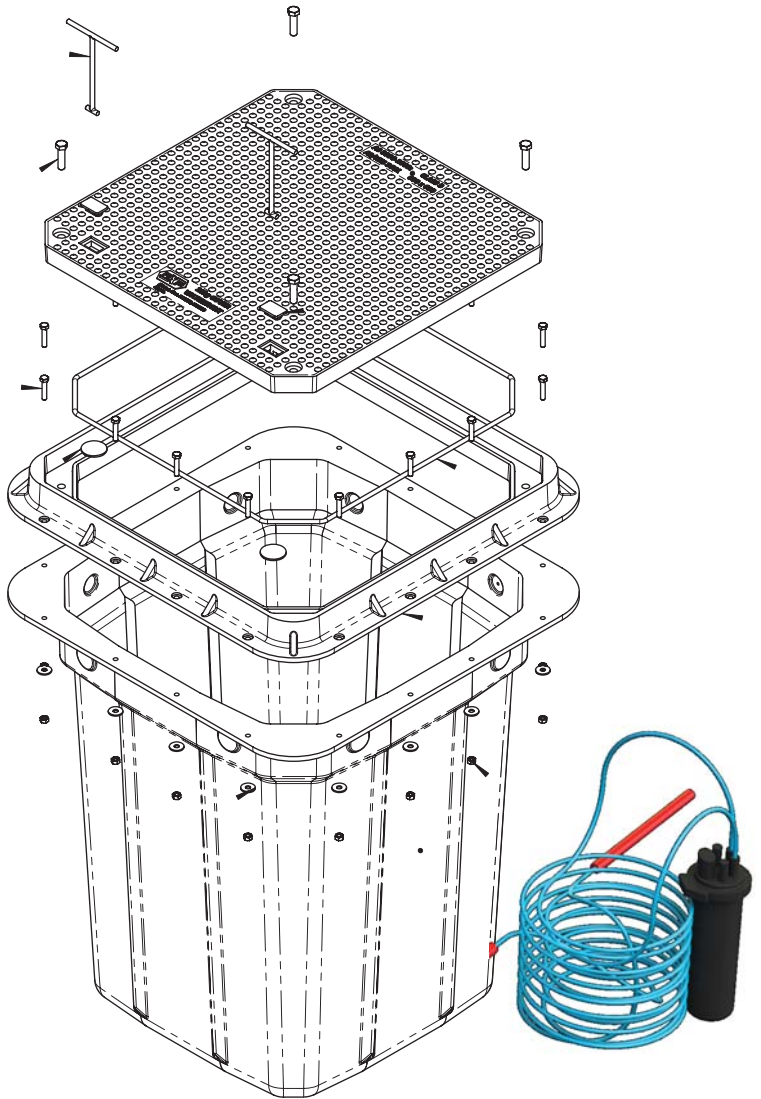
CBA600

- Suits 600mm excavation depth
- 10mm wall thickness

Features

Features - Chamber Pit

- AS 3996-2006 Access Cover Class B Load Classification Footpath and Roadside
- Ribbed walls for strength and stiffness
- Lightweight, tough, durable watertight and non-corrosive chamber - PE material
- One piece single shell construction
- Quick and easy assembly
- Clear opening 600mm²
- Simplistic design - less intrusive installation
- Suitable for compression cable fittings
- One man installation - reduces civil labour costs
- Suits micro trenching, direct burial and air blown cables at required depths
- Documentation specific to NZ and AS
- Easy handling - no heavy lifting equipment required
- Manufactured in New Zealand



Features - Chamber Cover

- AS/NZS 3661.2:1994 Slip Resistant Surface (cover)
- Secure, lockable and watertight cover
- SMC cover material, no inherent scrap value prevents theft.
- Easy handling - no heavy lifting equipment required



Easy lifting handles



Secure and lockable



Light stackable units for easy transportation and lifting

Installation Overview

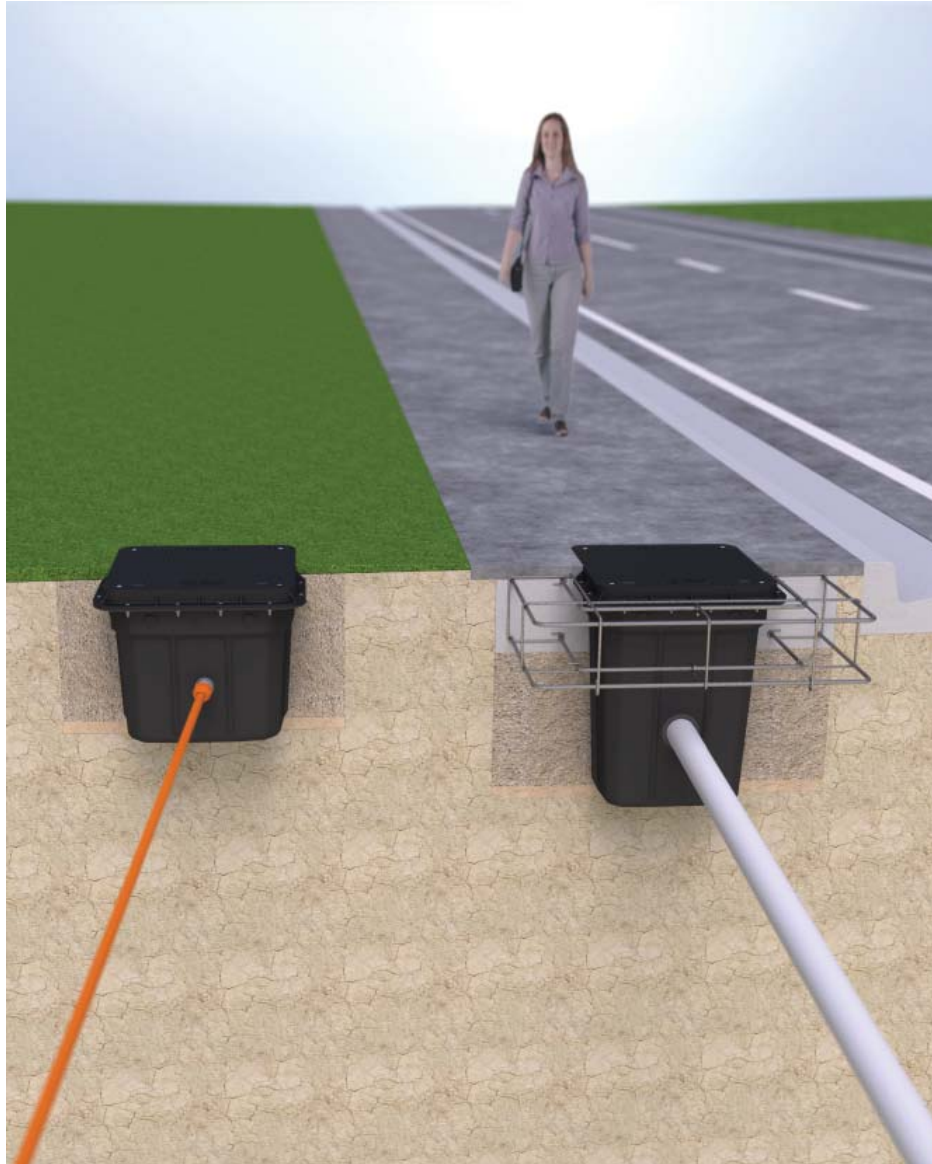
Overview

Suitable for installation in light duty areas including footways and driveways accessible to pedestrians, pedal cyclists and light tractor paths, vehicles (excluding commercial vehicles) or livestock

- The installer must be familiar with the RX Class B Access Chamber Installation Guide prior to commencing installation
- Ensure all safety rules and polices are carried out and that all OSH requirements for trench and pit installations have been met
- Ensure the safety of the public and contractors throughout the installation process
- Before commencing installation conduct a hazard review and be aware of hazards that are associated with installing chambers

- The Class B Access Chamber comes as a ready to assemble product and contains:-
 - Single skin polyethylene chamber
 - Fibre reinforced plastic access cover set
 - Fittings and fasteners to mount cover to chamber
- The chamber requires assembly prior to installation
- Following the chamber assembly and prior to the installation procedure the installer may require conduit holes or mounting hardware locating in the product
- The chamber features 12 blank conduit entry panels on the front, back, left and right sides. RX Plastics recommends using compression fittings or uniseals to ensure the chamber installation remains water tight.

Contact RX Plastics for a complete Class B Access Chamber Installation Guide



Suits micro trenching, direct burial and air blown cables at required depths



PE Conduit

- Manufactured to meet dimensions of AS/NZS 4130 Series 1
- Standard wall thickness is based on SDR 17 (PN8 rating)
- Manufacturing sizes 32mm - 160mm coiled
- Can be EF or Butt welded in all sizes
- Easy to assemble compression fittings for sizes 32mm - 110mm
- Manufactured from virgin materials
- Can be jacketed
- Can be manufactured as
 - Orange for electrical
 - Green for telecommunication or
 - any other colour on request
- Can be trenched by non- standard methods
 - mole ploughing or directional drilling



PVC Conduit

- Manufactured to meet dimensions of AS/NZS 2053
- Sizes from 32mm - 150mm (other sizes upon request) for electrical
- Sizes 20mm, 50mm and 110mm for telecommunication
- Class ratings are Light and Medium Duty (depending on pipe size)
- Standard 6mtr lay lengths plus the socket
- Sockets come as standard solvent cement joint (ring joint available upon request for sizes above 50mm)
- Standard installation and assembly like all SJ or RJ PVC pipes
- Pipe is solid wall, virgin material, made from organic stabiliser
- Made in electrical orange or any other colour to suit

RX Transparent fittings

- Transparent fittings for HDPE cable ducts
- Transparent coupler body to maximise convenience and efficiency
- Resistant to corrosion and most chemicals
- Available with red, green or orange nuts
- Simple application
- Fast installation
- Water tight and air tight

RX Transparent couplers are a transparent coupler for connecting PE cable ducts.



Fittings

Comfit Couplers Features

- Push-fit action ensuring fast and easy installations without the use of tools
- Water tight and air tight
- Rated 12 bar - higher pressures to 16 bar may be used for short periods during blowing operations.
- UV stabilised
- Resistant to corrosion and most chemicals

Comfit couplers are a push-fit coupler for connecting PE cable duct with a streamlined design enabling use for drilling and mole plowing.



Comfit Coupler - 32mm, 40mm and 50mm

Comfit Duct Plug Features

- Ideal for manholes and building entrances
- Easy and fast installation without the use of tools
- Water tight - (10 metres)
- Easy to see - (red colour)
- Reusable many times over
- UV stabilised
- Resistant to corrosion and most chemicals

The comfit plug allows for easy and effective plugging of telecommunication pipes. The plug has an internal loop for tying off of cable ropes and is self sealing by means of a few turns by hand of the external nut.



Comfit Duct Plug
32mm, 40mm and 50mm